

DEM 128064A SYH-LY

DATA SHEET

LCD MODULE

DEM 128064A SYH-LY

Product specification

Version :6

07.04.2003

GENERAL SPECIFICATION

MODULE NO. :

DEM 128064A SYH-LY

CUSTOMER P/N

VERSION NO.	CHANGE DESCRIPTION	DATE
0	ORIGINAL VERSION	2002/05/30
1	EXTERNAL DIMENSIONS FOR DEM 128064A SYH-LY CHANGED	2002/05/30
2	LCD TYPE AND EXTERNAL DIMENSIONS CHANGED	2002/06/03
3	ADD DC/DC CONVERTER	2002/07/06
4	THE PCB CHANGED	2002/12/12
5	CHANGE PCB AND COMPONENT	2003/02/18
6	CHANGE PCB PRINTED	2003/03/17

PREPARED BY: ZXD

DATE: 2003/03/17

APPROVED BY: MH

DATE: 2003/04/07

CONTENTS

1. FUNCTIONS & FEATURES -----2

2. MECHANICAL SPECIFICATIONS -----2

3. BLOCK DIAGRAM -----2

4. EXTERNAL DIMENSIONS -----3

5. PIN ASSIGNMENT -----4

6.1 PCB DRAWING AND DESCRIPTION -----5

6.2 EXAMPLE APPLICATION -----5

6.3 THE MODULE NO. IS PRINTED ON THE PCB -----6

7. BACKLIGHT & SWITCH -----6

8. APPLICATION CIRCUIT -----7

9. MAXIMUM ABSOLUTE LIMIT -----8

10. ELECTRICAL CHARACTERISTICS -----8

 10-1 DC CHARACTERISTICS -----8

 10-2 MPU INTERFACE -----9

11. OPERATING PRINCIPLES & METHODS -----10

 11-1 I/O BUFFER -----10

 11-2 INPUT REGISTER -----10

 11-3 OUTPUT REGISTER -----10

 11-4 RESET -----10

 11-5 BUSY FLAG -----11

 11-6 DISPLAY ON/OFF FLIP-FLOP -----12

 11-7 X PAGE REGISTER -----12

 11-8 Y ADDRESS COUNTER -----12

 11-9 DISPLAY DATA RAM -----12

 11-10 DISPLAY START LINE REGISTER -----12

12. DISPLAY CONTROL INSTRUCTION -----13

 12-1 DISPLAY ON/OFF -----14

 12-2 SET ADDRESS (Y ADDRESS) -----14

 12-3 SET ADDRESS (X ADDRESS) -----14

 12-4 DISPLAY START LINE (Z ADDRESS) -----14

 12-5 STATUS READ -----14

 12-6 WRITE DISPLAY DATA -----14

 12-7 READ DISPLAY DATA -----14

13. LCD MODULES HANDLING PRECAUTIONS -----15

14. OTHERS -----15

1. FUNCTIONS & FEATURES

- DEM 128064A-Series :

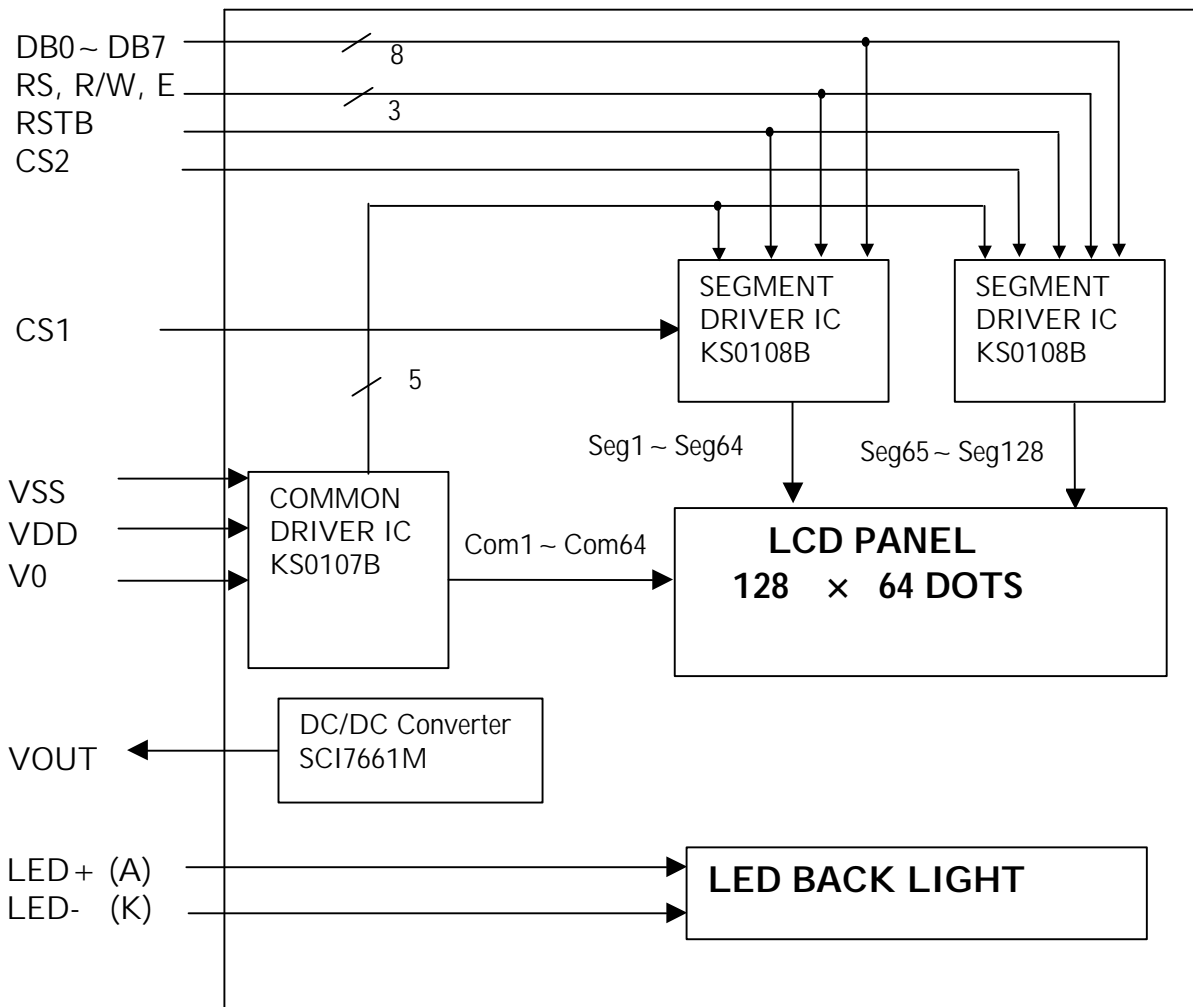
MODULE	LCD TYPE	BACKLIGHT TYPE
DEM 128064A SYH-LY	STN Yellow/Green Transflective Positive Mode	Yellow Green Light Box

- Viewing Direction : 6 O'clock
- Driving Scheme : 1/64 Duty Cycle, 1/9 Bias
- Power Supply Voltage : 5.0 V
- V_{LCD} Adjustable For Best Contrast : 12.9 V (typ./will be generated from internal dc/dc converter)
- Backlight: : Yellow/Green (lightbox)
- Display Contents : 128 x 64 Dots
- Interface RAM : 512 bytes (4096 bits)
- Interface : 8 bit parallel display data from MPU

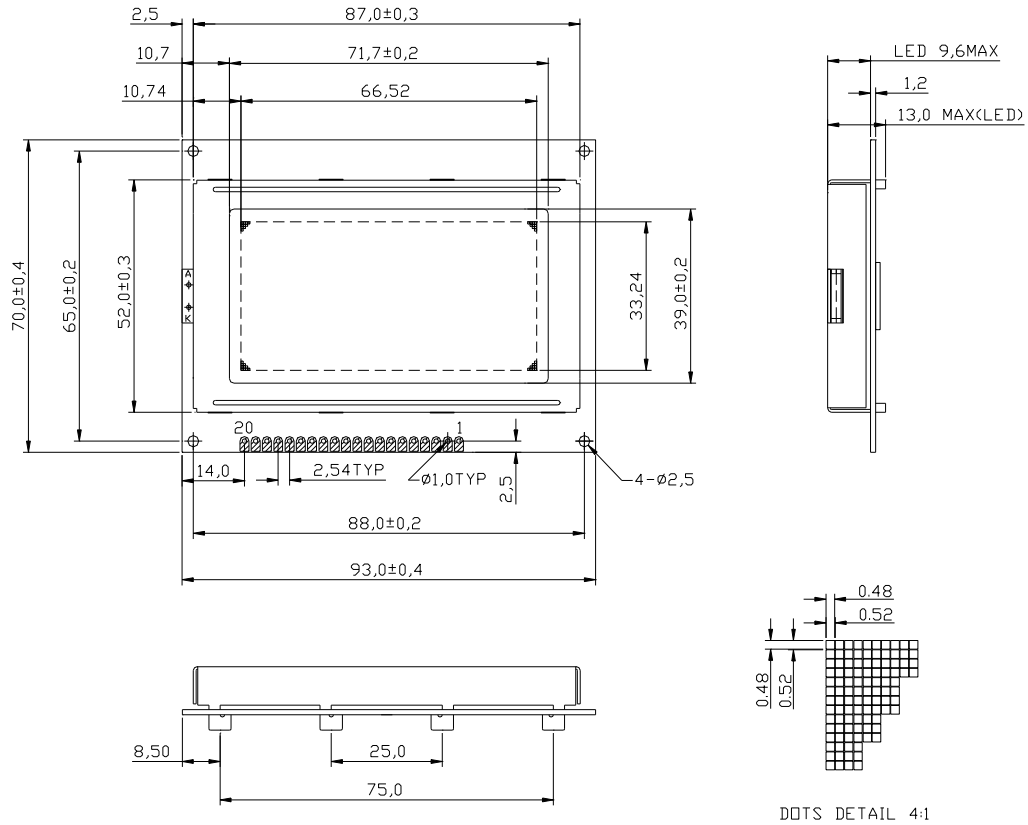
2. MECHANICAL SPECIFICATIONS

- Dot Size : 0.48 (W) x 0.48 (H) mm
- Dot Pitch : 0.52 (W) x 0.52 (H) mm

3. BLOCK DIAGRAM



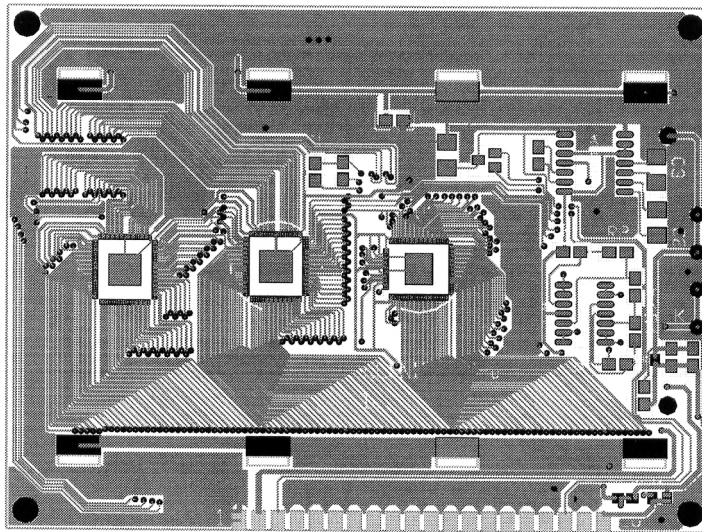
4. EXTERNAL DIMENSIONS



5. PIN ASSIGNMENT

Pin No.	Symbol	Function
1	V _{SS}	Ground
2	V _{DD}	Power supply voltage for logic, + 5.0V.
3	V ₀	Input voltage for LCD
4	RS	Register select : RS = 0 (Instruction register) RS = 1 (Data register)
5	R/W	Read /Write : R/W = 1 (Read) R/W = 0 (Write)
6	E	Chip enable signal
7	DB0	Data bit 0
8	DB1	Data bit 1
9	DB2	Data bit 2
10	DB3	Data bit 3
11	DB4	Data bit 4
12	DB5	Data bit 5
13	DB6	Data bit 6
14	DB7	Data bit 7
15	CS1	Chip select signal for KS0108B(1)
16	CS2	Chip select signal for KS0108B(2)
17	RSTB	Reset signal
18	VOUT	Output voltage for LCD, -9.5V
19	LED + (A)	Please also refer to 6.2 Example application
20	LED - (K)	Please also refer to 6.2 Example application

6.1 PCB DRAWING AND DESCRIPTION



DESCRIPTION:

6-1-1. The polarity of the pin 19 and the pin 20:

symbol	symbol state	J2, J4	J1, J3	LED Polarity	
				19 Pin	20 Pin
J1, J3	Each solder-bridge	Each open	-----	Anode	Cathode
J2, J4	Each solder-bridge	-----	Each open	Cathode	Anode

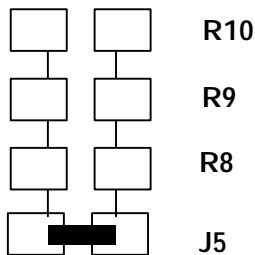
6-1-2. The LED resistor should be bridged when the J5 is solder-Bridge.

6-1-3. The R8, R9 and R10 are the LED resistor. (R8=R9=R10=8,2 Ohm).

6-1-4. The metal-bezel is set on ground. (J6 is closed).

6.2 Example application

6-2-1. The LED resistor should be bridged as following.



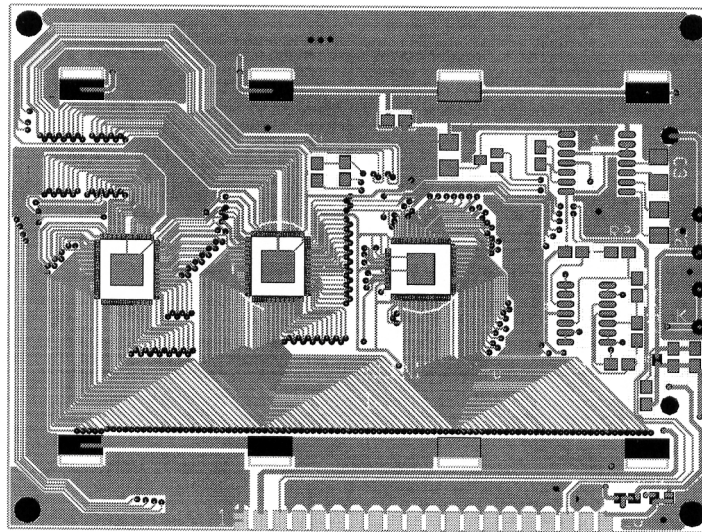
6-2-2. The 19 pin is the anode and the 20 pin is the cathode as following.



6-2-3. The 19 pin is the cathode and the 20 pin is the anode as following.



6.3 The module No. is printed on the PCB.



Module No: DEM128064A

7. BACKLIGHT & SWITCH (Ta = -20 ~ +70°C)

7.1 Backlight Color : Yellow green

Item	Symbol	Standard Value	Unit	Applicable Terminal
Backlight Voltage	V	5.0	V	LED+ / LED-
Backlight Current	I	340 (typ.)	mA	

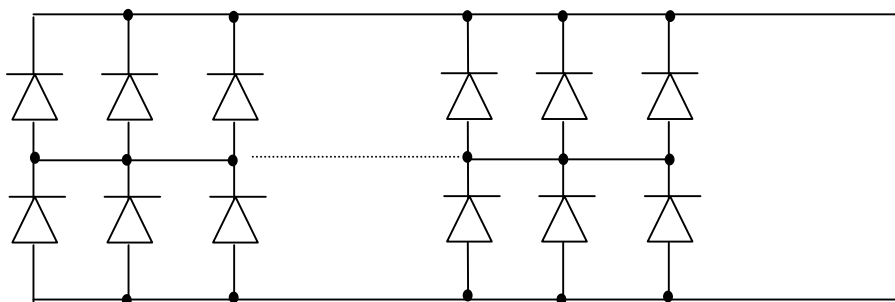
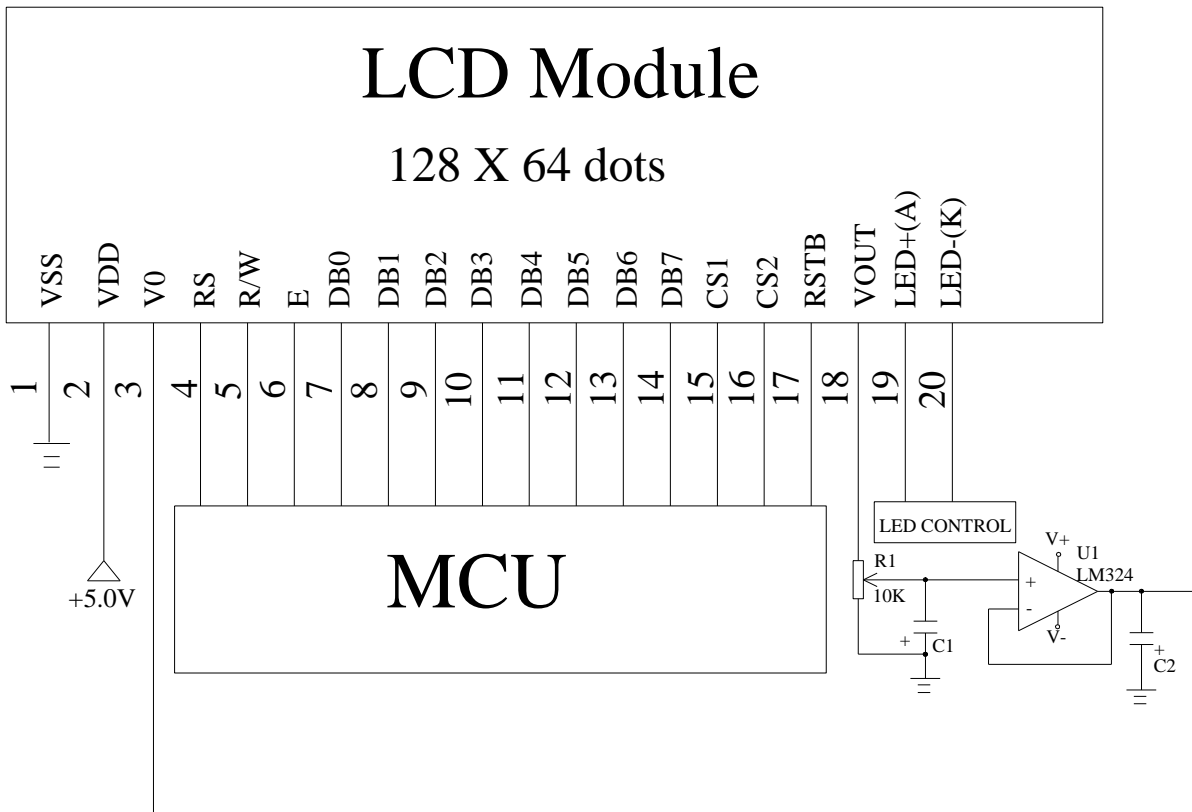


Figure3.0 for DEM 128064A SYH-LY (2 x 36 =72 pcs)

8. APPLICATION CIRCUIT



- NOTE:**
1. R1 is the contrast resistor.
 2. VOUT = -9.5V
 3. Adjust R1, it will be best contrast when V0 is -7.9V.

9. MAXIMUM ABSOLUTE POWER RATINGS (Ta = 25°C)

Item	Symbol	Standard value	Unit
Supply voltage for logic	V _{DD}	-0.3 ~ +7.0	V
Supply voltage	V ₀	V _{DD} -19.0 ~ V _{DD} +0.3	V
Driver supply voltage	V _{DD} -V ₀	V ₀ -0.3 ~ V _{DD} +0.3	V
Operating temperature	T _{opr}	-20 ~ +70	°C
Storage temperature	T _{stg}	-25 ~ +75	°C

10. ELECTRICAL CHARACTERISTICS

10-1 DC Characteristics (VDD = +5V ± 10% ; V_{ss} = 0V ; Ta = -20 ~ +70°C)

Item	Symbol	Standard Value			Test Condition	Unit
		MIN	TYP	MAX		
Supply current for logic	V _{DD}	4.5	5.0	5.5	-----	V
Supply current for logic	I _{DD}	----	2.62	4	-----	mA
operating Voltage for LCD	V _{DD} -V ₀	13.4	14.1	14.8	-20°C	V
		12.2	12.9	13.6	25°C	
		11.0	11.7	12.4	70°C	
Supply voltage for back light	V _F	---	4.2	4.6	-----	V
Supply current back light	I _F	---	380	500	V _F = 4.2V	mA
Input voltage "H" level	V _{IH}	0.7V _{DD}	---	V _{DD}	---	V
Input voltage "L" level	V _{IL}	0	---	0.3V _{DD}	---	V

10-2 MPU Interface

Characteristic	Symbol	Min	Typ	Max	Unit
E Cycle	t_C	1000	-	-	ns
E Rise	t_R	-	-	25	ns
E Fall	t_F	-	-	25	ns
E High Level Width	t_{WH}	450	-	-	ns
E-Low Level Width	t_{WL}	450	-	-	ns
Address Set –Up Time	t_{ASU}	140	-	-	ns
Address Hold Time	t_{AH}	10	-	-	ns
Data Delay Time	t_D	-	-	320	ns
Data Set –Up Time	t_{DSU}	200	-	-	ns
Data Hold Time (Write)	t_{DHW}	10	-	-	ns
Data Hold Time (Read)	t_{DHR}	20	-	-	ns

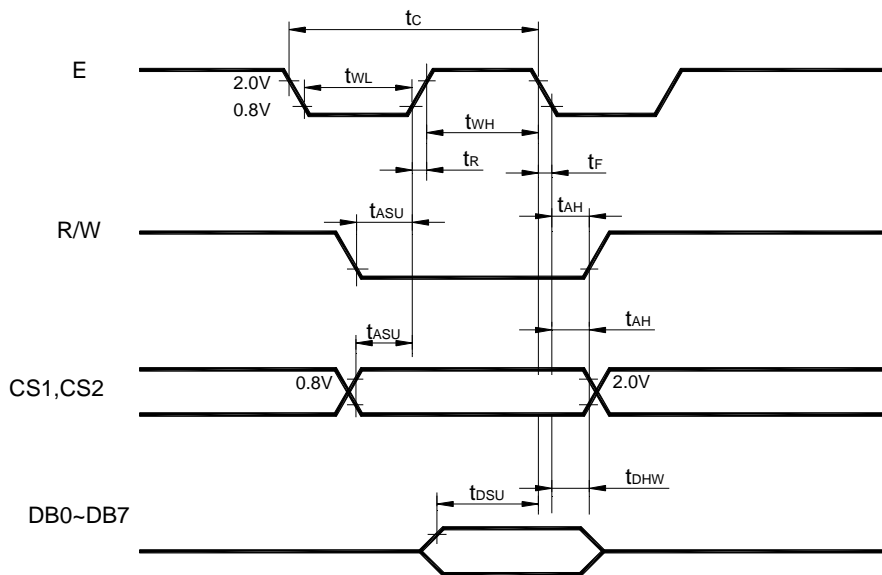


Figure 5.0 MPU write timing

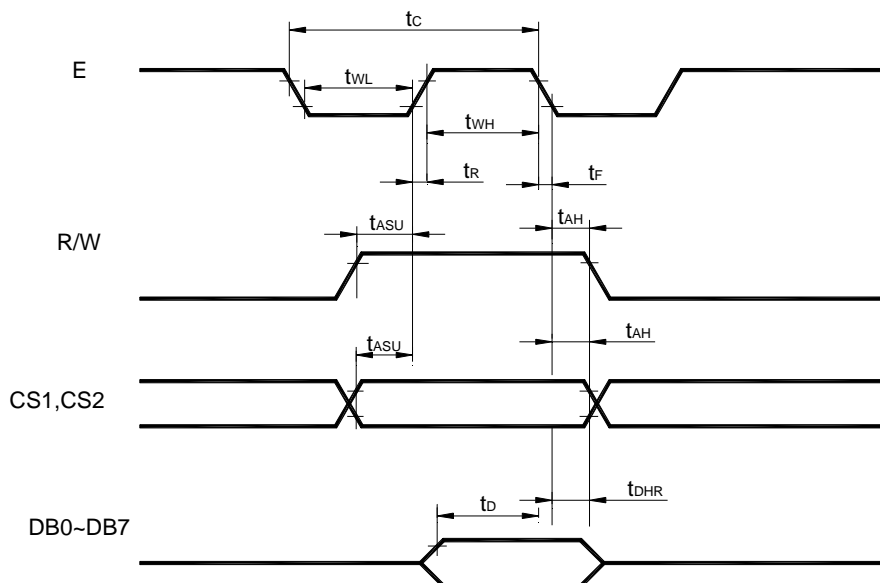


Figure 6.0 MPU Read timing

11. OPERATING PRINCIPLES & METHODS

11-1. I/O Buffer

Input buffer controls the status between the enable the and disable of chip. Unless the CS1 to CS2 is in active mode. Input or output of data and instruction does not execute. Therefore internal state is not change.

Bust RSTB and ADC can operate regardless CS1-CS2.

11-2. Input register

Input register is provided to interface with MPU which is different operating frequency. Input register stores the data temporarily before writing it into display RAM. When CS1 to CS2 are in the active mode, R/W and RS select the input register. The data from MPU is written into input register. Then Writing it into display RAM. Data latched for the E signal and write automatically into the display data RAM by internal operation.

11-3. Output register

Output register stores the data temporarily from display data RAM when CS1 and CS2 are in active mode and R/W and RS=H, stored data in display data RAM is latched in output register. When CS1 to CS2 are in the active mode and R/W=H, RS=L, status data (busy check) can read out. To read the contents of display data RAM, twice access of read instruction needed. In first access, data in display data RAM is latched into output register. In second access, MPU can read data which is latched. That is , to read the data in display data RAM, it needs dummy read. But staus read is not read needed dummy.

RS	R/W	Function
L	L	Instruction
	H	Status read (busy check)
H	L	Data write (from input read register to display data RAM)
	H	Data read (from display data RAM to output register)

11-4. Reset

The system can be initialized by setting RSTB terminal at low level when turning power on receiving instruction from RAM. When RSTB becomes low, following procedure is occurred.

1. Display off
2. Display start line register become set by 0. (Z-address 0)

While RSTB is low, No instruction except status read can be accepted. Therefore, execute other instructions after making sure than DB4=0 (clear RSTB) and DB7=0 (ready) by status read instruction.

The conditions of power supply data initial power up are shown in table 1.

Table 1. Power Supply Initial Conditions

Item	Symb	Min.	Typ.	Max.	Unit
Reset time	T_{RS}	1	-	-	US
Rise time	t_R	-	-	200	us

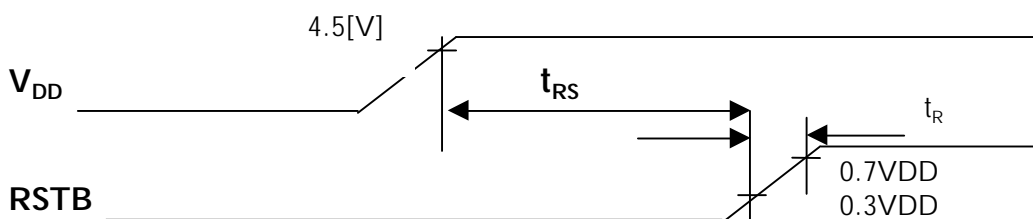


Figure 7.0

11-5. Busy flag

Busy flay indicates that KS0108B is operating or on operating. When busy flag is high, KS0108B is internal operating. When busy flag is low, KS0108B can accept the data or instruction. DB7 indicates busy flag of the KS0108B.

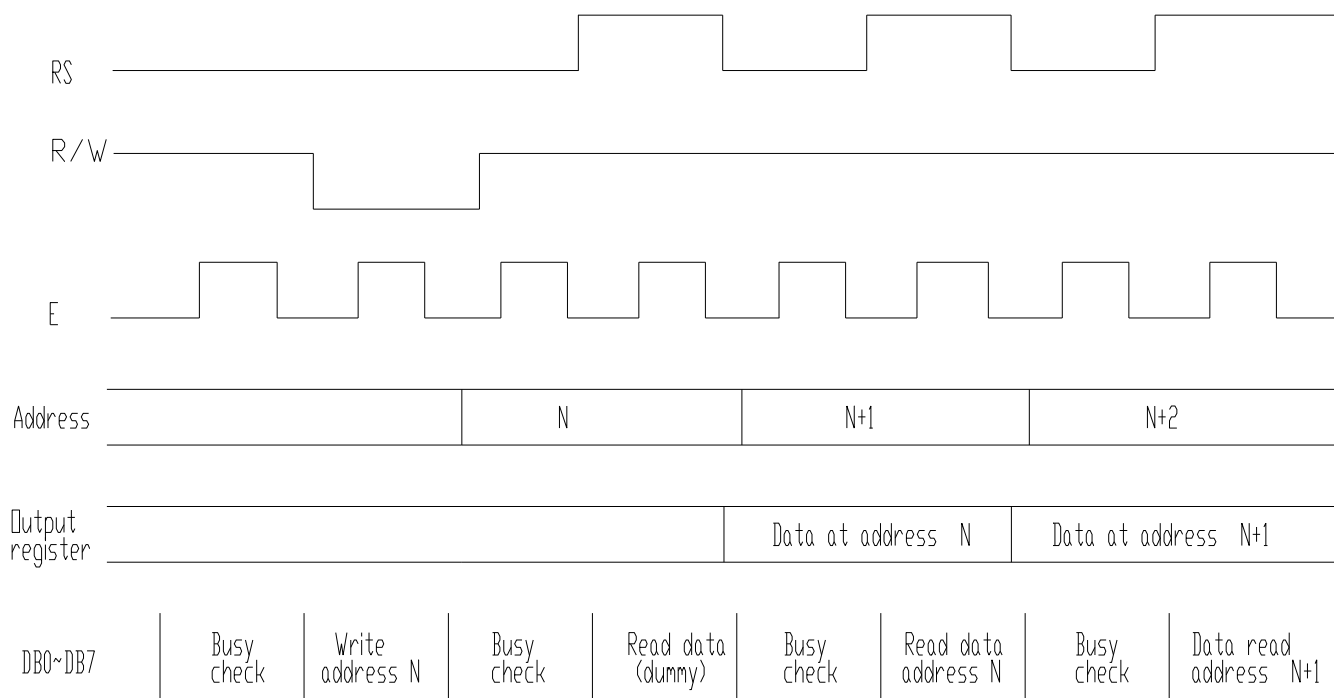


Figure 8.0 Busy Check

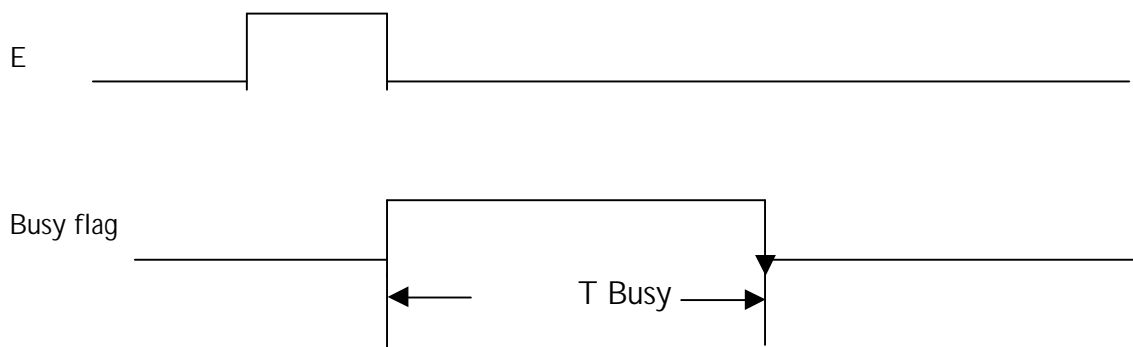


Figure 9.0 Busy Flag

11-6. Display ON/OFF Flip-Flop

The display on/off flip-flop makes on/off the liquid crystal display. When flip-flop is reset (logical low), selective voltage or non selective voltage appears on segment output terminals. When flip-flop is set (logic high), non selective voltage appears on segment output terminals regardless of display RAM data. The display on/off flip-flop can changes status by instruction. The display data at all segment disappear while RSTB is low. The status of the flip-flop is output to DB5 by status read instruction.

11-7. X Page Register

X page register designates pages of the internal display data RAM. Count function is not available. An address is set by instruction.

11-8. Y address counter

Y address counter designates address of the internal data RAM. An address is set by instruction and is increased by 1 automatically by read or write operations of display data.

11-9. Display Data RAM

Display Data RAM stores a display data for liquid crystal display. To indicate on state dot matrix of liquid crystal display, write data 1. The other way, off state, writes 0.

11-10. Display Start Line Register

The display start line register indicates of display data RAM to display top liquid crystal display. Bit data (DB<0:5>) of the display start line set instruction is latched in display start line register. Latched data is transferred to the Z address counter while FRM is high, presetting the Z address counter. It is used for scrolling of the liquid crystal display screen.

12.DISPLAY CONTROL INSTRUCTION

The display control instructions the internal state of the KS0108B. Instruction is received from MPU to KS0108B for the display control. The following table shows various instructions.

Instruction	RS	R/W	DB7	DB6	DB5	DB4	DB3	DB2	DB1	DB0	Function	
Display ON/OFF	L	L	L	L	H	H		H	H	L/H	Controls the display on or off. Internal status and display RAM data is not affected. L: OFF, H: ON	
Set Address (Y address)	L	L	L	H	Y address (0~ 63)						Sets the Y address in the Y address counter.	
Set Page (X address)	L	L	H	L	H	H	H	Page (0~ 7)			Sets the X address At the X address counter	
Display Start line (Z address)	L	L	H	H	Display start line (0~ 63)						Indicates the display data RAM displayed at the top of the screen.	
Status Read	L	H	B U S Y	L	O N / O F F	R E S E T	L	L	L	L	Read status BUSY L: Ready H: In operation On/Off L: display ON H: Display OFF RESET L: Normal H: Reset	
Write Display Data	H	L	Write Date									Writes data (DB0:7) into display data RAM . After writing instruction, Y address is increased by 1 automatically.
Read Display data	H	H	Read Date									Reads data (DB0:7) From display data RAM to the data bus.

12-1. Display On/Off

RS	R/W	DB7	DB6	DB5	DB4	DB3	DB2	DB1	DB0
0	0	0	0	1	1	1	1	1	D0

The display data appears when D is 1 and disappears when D is 0.

Though the data is not on the screen with D=0, it remains display data RAM.

Therefore, you can make it appear by changing D=0 into D=1.

12-2. Set Address (Y Address)

RS	R/W	DB7	DB6	DB5	DB4	DB3	DB2	DB1	DB0
0	0	0	1	AC5	AC4	AC3	AC2	AC1	AC0

Y address (AC0~ AC5) of the display data RAM is set in the Y address counter.

An address is set by instruction and increased by 1 automatically by read or write operations of display data.

12-3. Set Page (X Address)

RS	R/W	DB7	DB6	DB5	DB4	DB3	DB2	DB1	DB0
0	0	1	0	1	1	1	AC2	AC1	AC0

X address (AC0~ AC2) of the display data RAM is set in the X address register.

Writing or reading to or from MPU is executed in this specified page until the next page is set.

12-4. Display Start Line (Z Address)

RS	R/W	DB7	DB6	DB5	DB4	DB3	DB2	DB1	DB0
0	0	1	1	AC5	AC4	AC3	AC2	AC1	AC0

Z address (AC0~ AC5) of the display data RAM is set in the display start line register and display at the top of the screen.

When the display duty cycle is 1/64 or others (1/32~ 1/64), the data of total line number of LCD screen, from the line specified by display start line instruction, is displayed.

12-5. Status Read

RS	R/W	DB7	DB6	DB5	DB4	DB3	DB2	DB1	DB0
0	0	BUSY	0	ON/OFF F	RESET	0	0	0	0

■ BUSY

When BUSY is 1, the Chip is executing internal operation and no instructions are accepted.

When BUSY is 0, the Chip is ready to accept any instructions.

■ ON/OFF

When ON/OFF is 1, the display is on.

When ON/OFF is 0, the display is off.

■ RESET

When RESET is 1, the system is being initialized.

In this condition is 0, no instructions except status read can be accepted.

When RESET is 0, initialized has finished and the system is in the usual operation condition

12-6. Write Display data

R/W	DB7	DB6	DB5	DB4	DB3	DB2	DB1	DB0
1	D7	D6	D5	D4	D3	D2	D1	D0

Writes data (D0~ D7) into the display data RAM.

After writing instruction, Y addressed is increased 1 automatically.

12-7. Read Display data

R/W	DB7	DB6	DB5	DB4	DB3	DB2	DB1	DB0
1	D7	D6	D5	D4	D3	D2	D1	D0

Reads data (D0~ D7) from the display data RAM.

After reading instruction, Y addressed is increased 1 automatically.

13. LCD Modules Handling Precautions

- The display panel is made of glass. Do not subject it to a mechanical shock by dropping it from a high place, etc.
- If the display panel is damaged and the liquid crystal substance inside it leaks out, do not get any in your mouth. If the substance come into contact with your skin or clothes promptly wash it off using soap and water.
- Do not apply excessive force to the display surface or the adjoining areas since this may cause the color tone to vary.
- The polarizer covering the display surface of the LCD module is soft and easily scratched. Handle this polarize carefully.
- To prevent destruction of the elements by static electricity, be careful to maintain an optimum work environment.
 - Be sure to ground the body when handling the LCD module.
 - Tools required for assembly, such as soldering irons, must be properly grounded.
 - To reduce the amount of static electricity generated, do not conduct assembly and other work under dry conditions.
 - The LCD module is coated with a film to protect the display surface. Exercise care when peeling off this protective film since static electricity may be generated.
- Storage precautions
When storing the LCD modules, avoid exposure to direct sunlight or to the light of fluorescent lamps. Keep the modules in bags designed to prevent static electricity charging under low temperature / normal humidity conditions (avoid high temperature / high humidity and low temperatures below 0°C).Whenever possible, the LCD modules should be stored in the same conditions in which they were shipped from our company.

14. Others

- Liquid crystals solidify at low temperature (below the storage temperature range) leading to defective orientation of liquid crystal or the generation of air bubbles (black or white). Air bubbles may also be generated if the module is subjected to a strong shock at a low temperature.
- If the LCD modules have been operating for a long time showing the same display patterns may remain on the screen as ghost images and a slight contrast irregularity may also appear. Abnormal operating status can be resumed to be normal condition by suspending use for some time. It should be noted that this phenomena does not adversely affect performance reliability.
- To minimize the performance degradation of the LCD modules resulting from caused by static electricity, etc. exercise care to avoid holding the following sections when handling the modules:
 - Exposed area of the printed circuit board
 - Terminal electrode sections